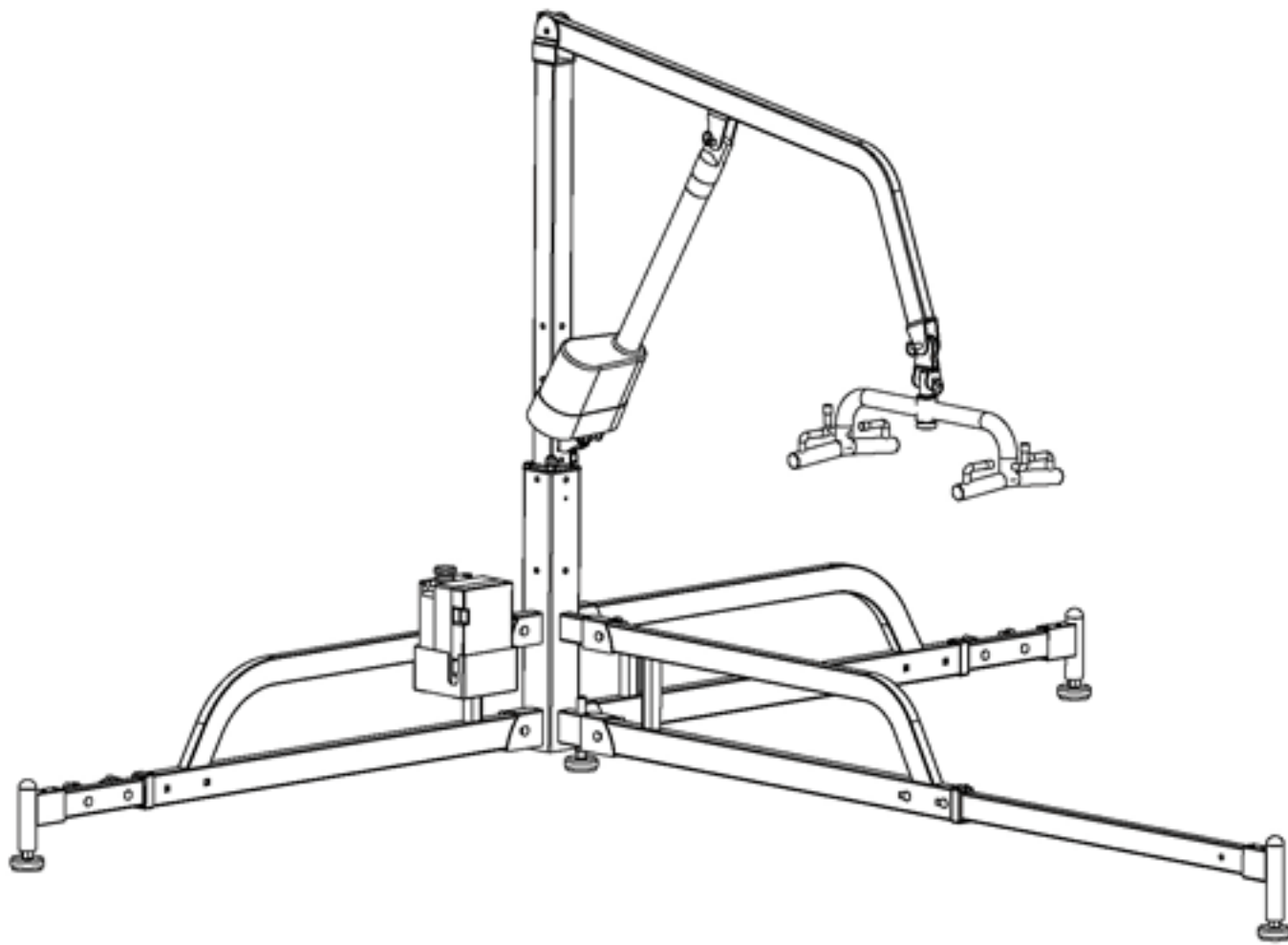
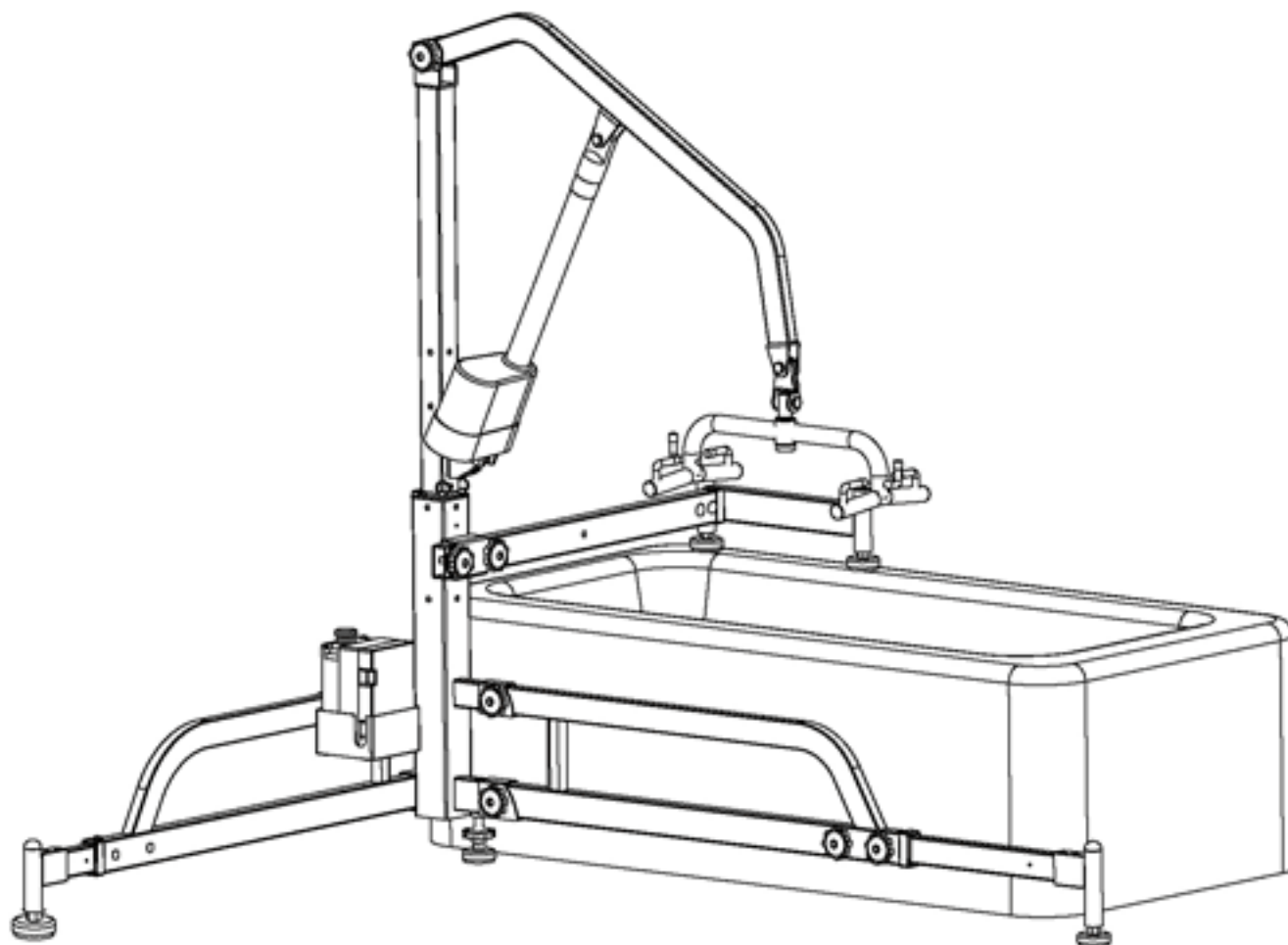


BRIANA: Bedside Lift



MODEL:BSL220

ALTON: Bathtub Lift



MODEL:BTL330

The Future of HomeCare Lifting is Here!

SAFETY PRECAUTIONS

The **ApexLift® Alton/Briana** allows a caregiver to lift and transfer a patient safely with minimum physical effort. Before attempting to lift anyone, one should practice operating the lift and explain to the patient the lifting procedures. Arrange all necessary items (lift, sling, wheelchair) properly for a smooth procedure. The person being transferred should be positioned in the center of the bed before lifting, as well as when he/she is returned to the bed.

- Special care must be taken with patients who cannot provide assistance while being lifted. (i.e. patients who are comatose, spastic, agitated or otherwise severely handicapped).
- The patients should be positioned so that they are facing the person operating the lift.

Use only **ApexLift®** slings specially designed for **ApexLift® Alton/Briana**. Do not use slings manufactured by other companies on **ApexLift® Alton /Briana**

- Apex Dynamics Healthcare Products, L.L.C. is not responsible for any consequence resulting from using non-ApexLift® products.
- Do not put anything (e.g. cushion, pad, etc) between the user and the sling. This may cause user to slide out of the sling and cause injury.
- Use only genuine **ApexLift®** parts or components. Apex Dynamics Healthcare Products, L.L.C. is not responsible for any consequence resulting from using non-ApexLift® parts and components.
- Service and repair of the **ApexLift® Alton/Briana** should be performed by Apex Dynamics Healthcare Products, L.L.C. or its authorized dealer. Apex Dynamics Healthcare Products, L.L.C. is not responsible for any consequence resulting from any unauthorized service or repair.
- Do not lift over the maximum weight allowed (400 lbs.)

Thank you for choosing ApexLift®!

To better serve you, please record the following information:

Dealer Name: _____

Telephone: _____

Serial #: _____

Date of Purchase: _____

INSPECT YOUR MERCHANDISE

Upon receipt of your **ApexLift®**, verify that all merchandise is complete and free from any shipping damage. Refuse delivery if the packaging appears to be badly damaged. If the merchandise is received damaged or is missing components, contact the shipping company immediately and file a claim.

For further assistance, contact your local dealer or Apex Dynamics Healthcare Products, L.L.C.

Apex Dynamics Healthcare Products, L.L.C.

6225 SHILOH ROAD SUITE C
ALPHARETTA, GA 30005 U.S.A.

770-888-0796 Or 1-800-742-0453

WARNING!

Do not attempt to transfer a patient without prior approval of the patient's nurse. Also, do not transfer without having studied the instructions and practiced operating the lift/sling several times. Together with the patient's doctor, nurse, or medical attendant, select an ApexLift® sling that is both practical and comfortable. The sling selected should be one that serves the needs of the patient, while providing the patient with optimal safety. Have a doctor, nurse, medical attendant, or caregiver (experienced in the use of ApexLift®) present during the first few times the lift is used to lift or transfer a patient.

ApexLift® slings are specially designed for ApexLift® equipment. Do not use slings manufactured by other companies with any ApexLift® equipment. **USING NON-APEXLIFT® SLINGS ON APEXLIFT® EQUIPMENT IS UNSAFE AND MAY RESULT IN SERIOUS INJURY TO USERS AND CAREGIVERS.** Apex Dynamics Healthcare Products, L.L.C. is not responsible for any consequence resulting from the use of non-ApexLift® slings on ApexLift® equipment.

Do not put anything (e.g. cushion, pad, etc.) between the user and the sling. This may cause the user/patient to slide out of the sling and cause injury.

Avoid personal injury by making sure no children or pets are near ApexLift® *Alton/Briana* while it is in use.

Avoid personal injury by making sure all extremities (such as fingers, arms, legs, or feet) are clear of the lift mechanism while it is in operation. Patient should be secure inside sling.

Avoid personal injury and possible damage to ApexLift® *Alton/Briana* by making sure the maximum weight limit of 400 lbs. is not exceeded.

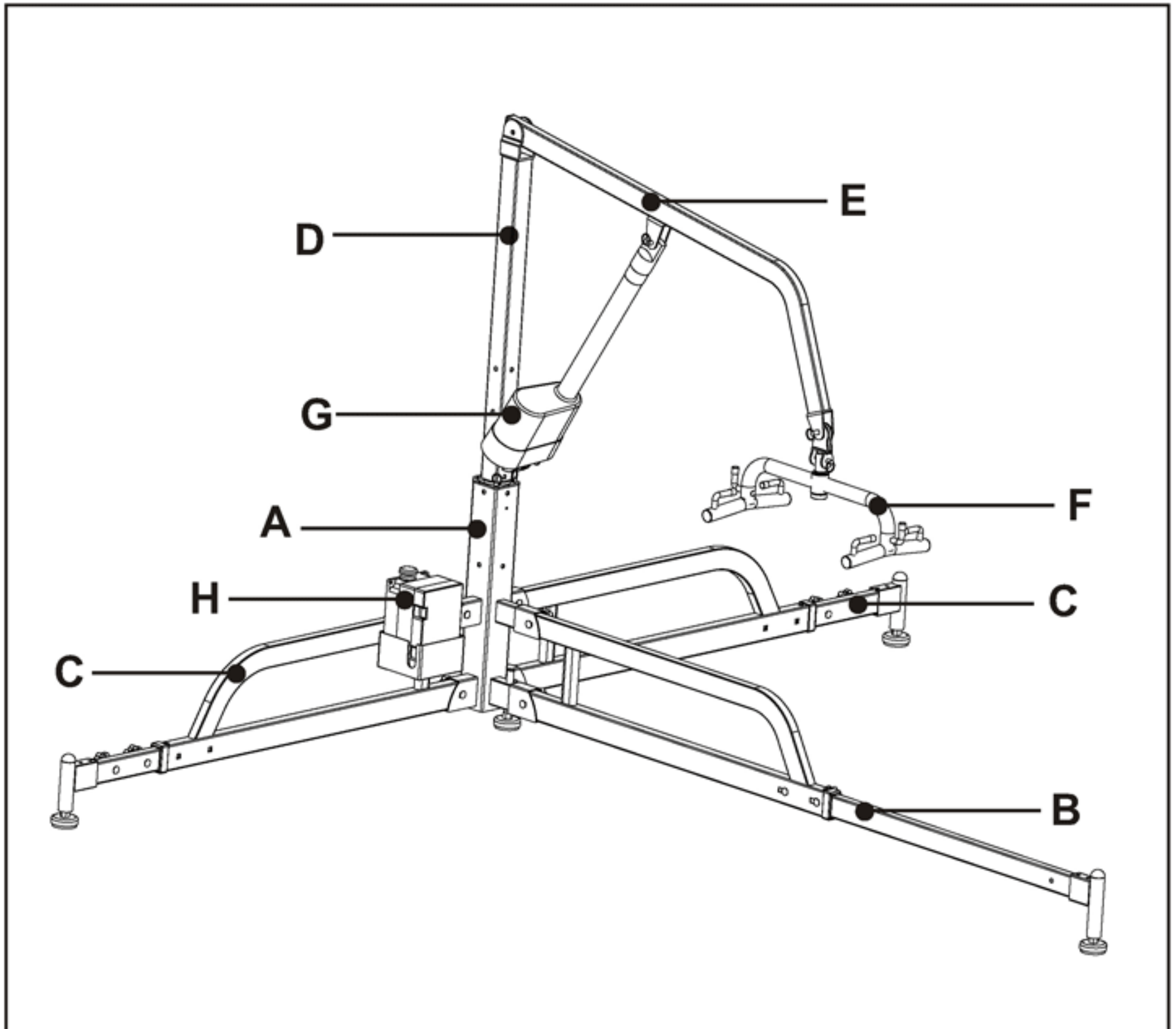
WARNING!

Replace any worn parts with only genuine ApexLift® parts. ApexLift® parts are not interchangeable with parts from other patient lift brands. Using other patient lift parts on ApexLift® products is unsafe and may result in serious injury to user and caregiver. Apex Dynamics Healthcare Products, L.L.C. is not responsible for any consequence resulting from the use of non-ApexLift® parts and components.

Avoid personal injury by making sure the battery is not being charged while any electrical inspection or mechanical work is being accomplished. Contact your Dealer if any Battery or Lifting problem is detected. You may also contact Apex Dynamics at 1-800-742-0453.

Service and repair of ApexLift® equipment should be performed only by Apex Dynamics Healthcare Products, L.L.C. or by an authorized dealer. Apex Dynamics Healthcare Products, L.L.C. is not responsible for any consequence resulting from any unauthorized service or repair.

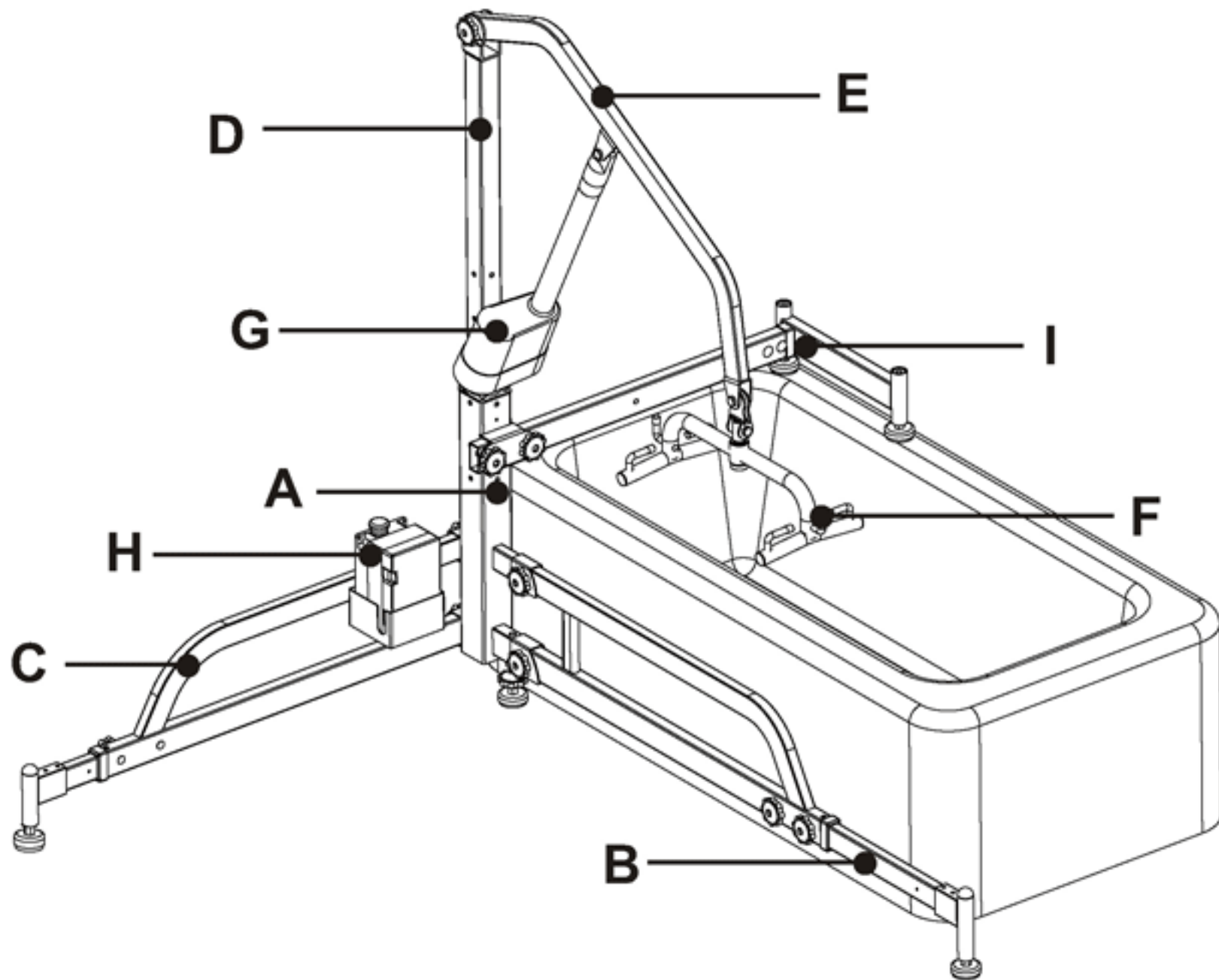
BSL220 - BRIANA BEDSIDE LIFT OVERVIEW



- A. Base
- B. Front Leg
- C. Side Leg
- D. Mast
- E. Boom
- F. Spreader Bar
- G. Actuator
- H. Control Box

※NOTE : The Front Leg is longer than the Side Leg(s).

BTL330 ALTON BATHTUB LIFT OVERVIEW



- A. Base
- B. Front Leg
- C. Side Leg
- D. Mast
- E. Boom
- F. Spreader Bar
- G. Actuator
- H. Control Box
- I. Crossbeam

※NOTE : The Front Leg is longer than the Side Leg.

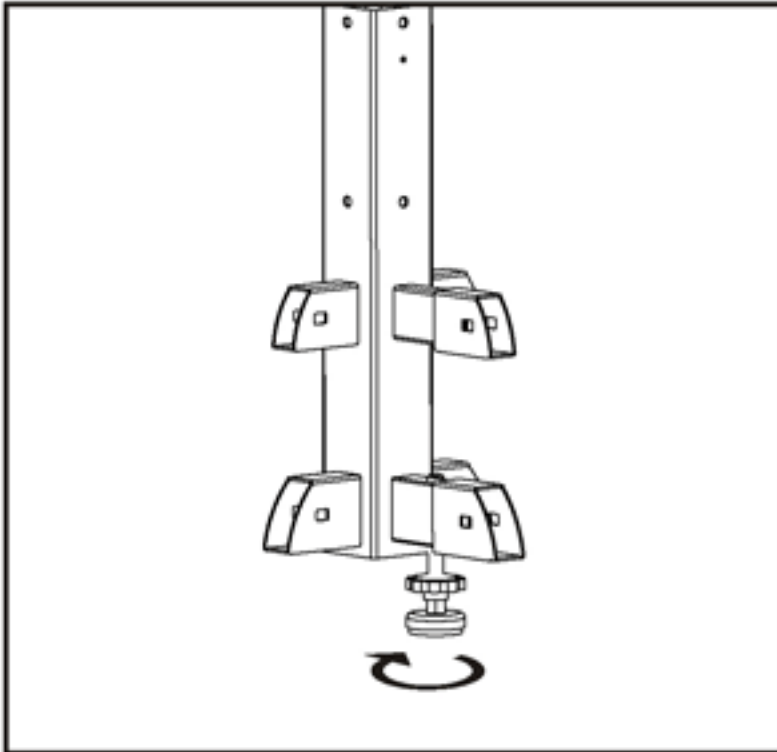
ASSEMBLY INSTRUCTIONS

■ BASE & LEGS ASSEMBLY

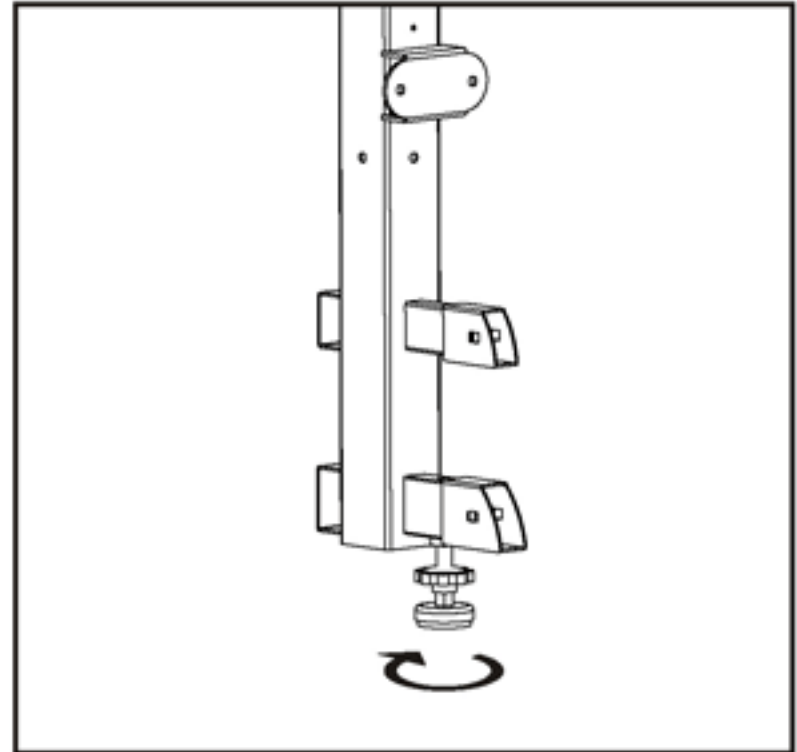
Step1: Take the Base out from box.

Step2: Turn downward the Supporting Foot of the Base.

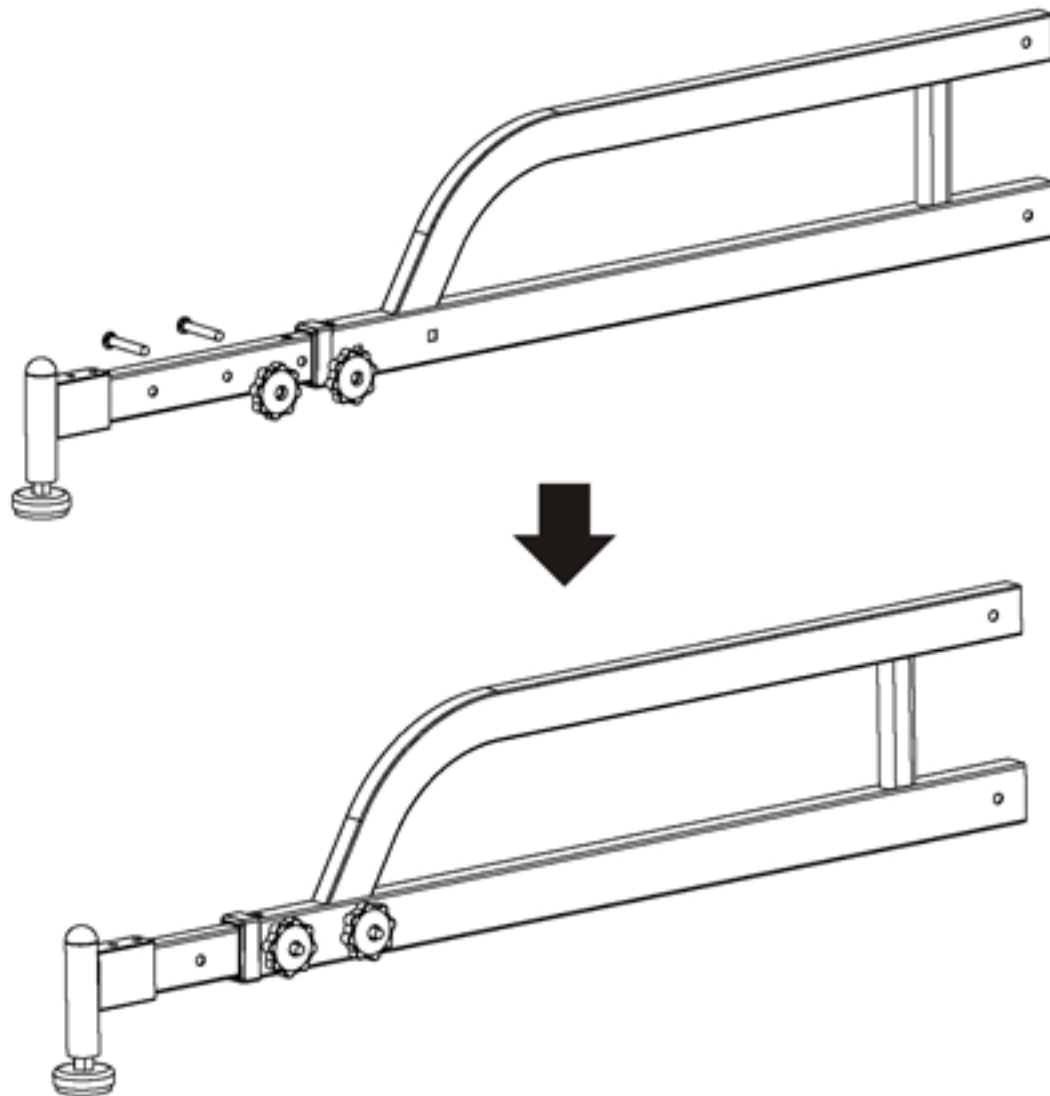
Bedside Lift



Bathtub Lift

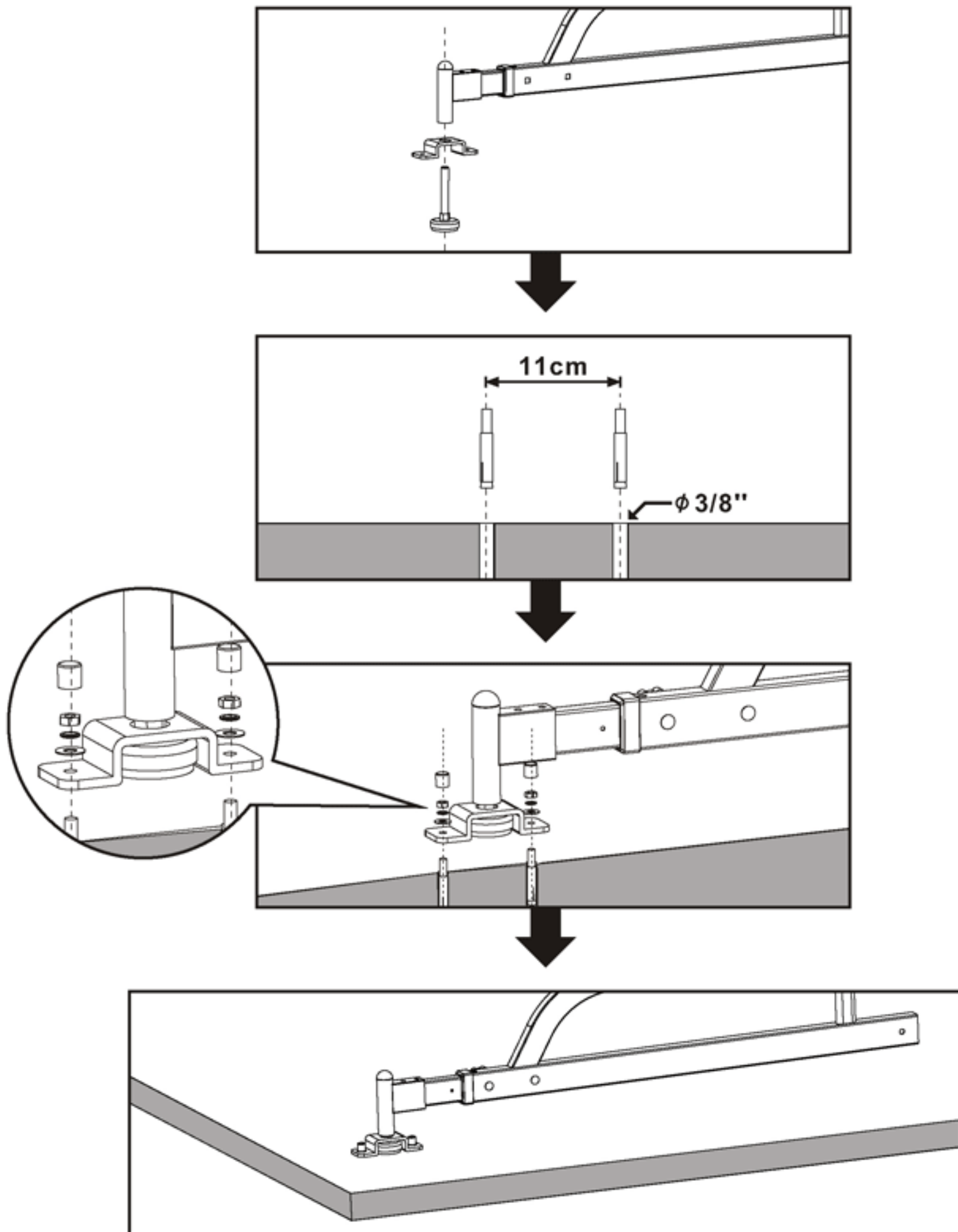


Step3: Extend and bolt the Front Leg and the Side Leg(s).



ASSEMBLY INSTRUCTIONS

- Step4:** a) Connect and bolt the Front Leg and the Side Leg(s) to the Base.
b) Connect and bolt the Crossbeam to the Base (BTL330 only).



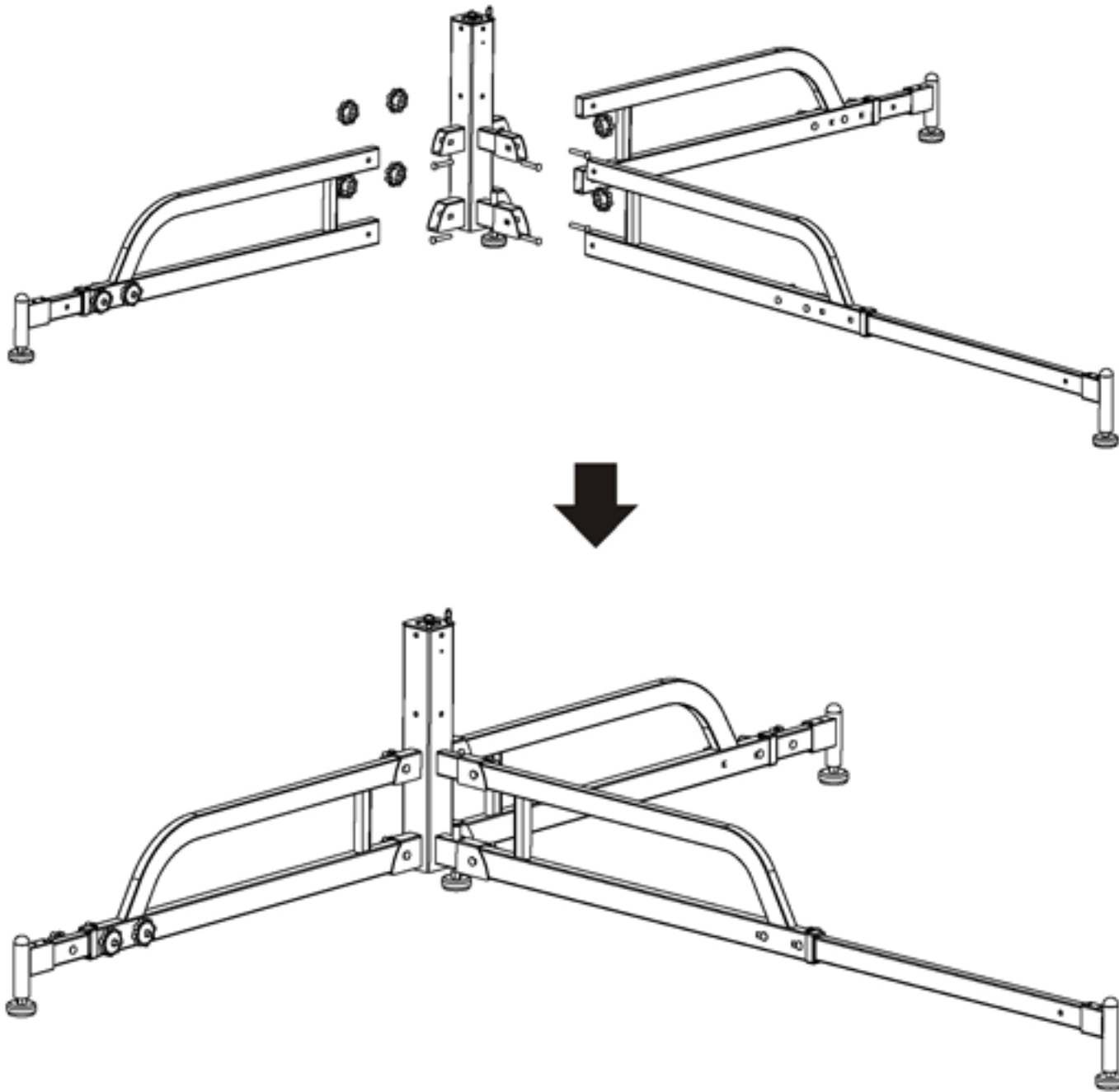
NOTE: If Crossbeam is not used, the Side Leg needs to be bolted to the floor using the floor bracket provided.

ASSEMBLY INSTRUCTIONS

Step5: DO NOT TIGHTEN THE NUTS UNTIL ALL LEGS ARE PRE-ASSEMBLED AND BOLTED.

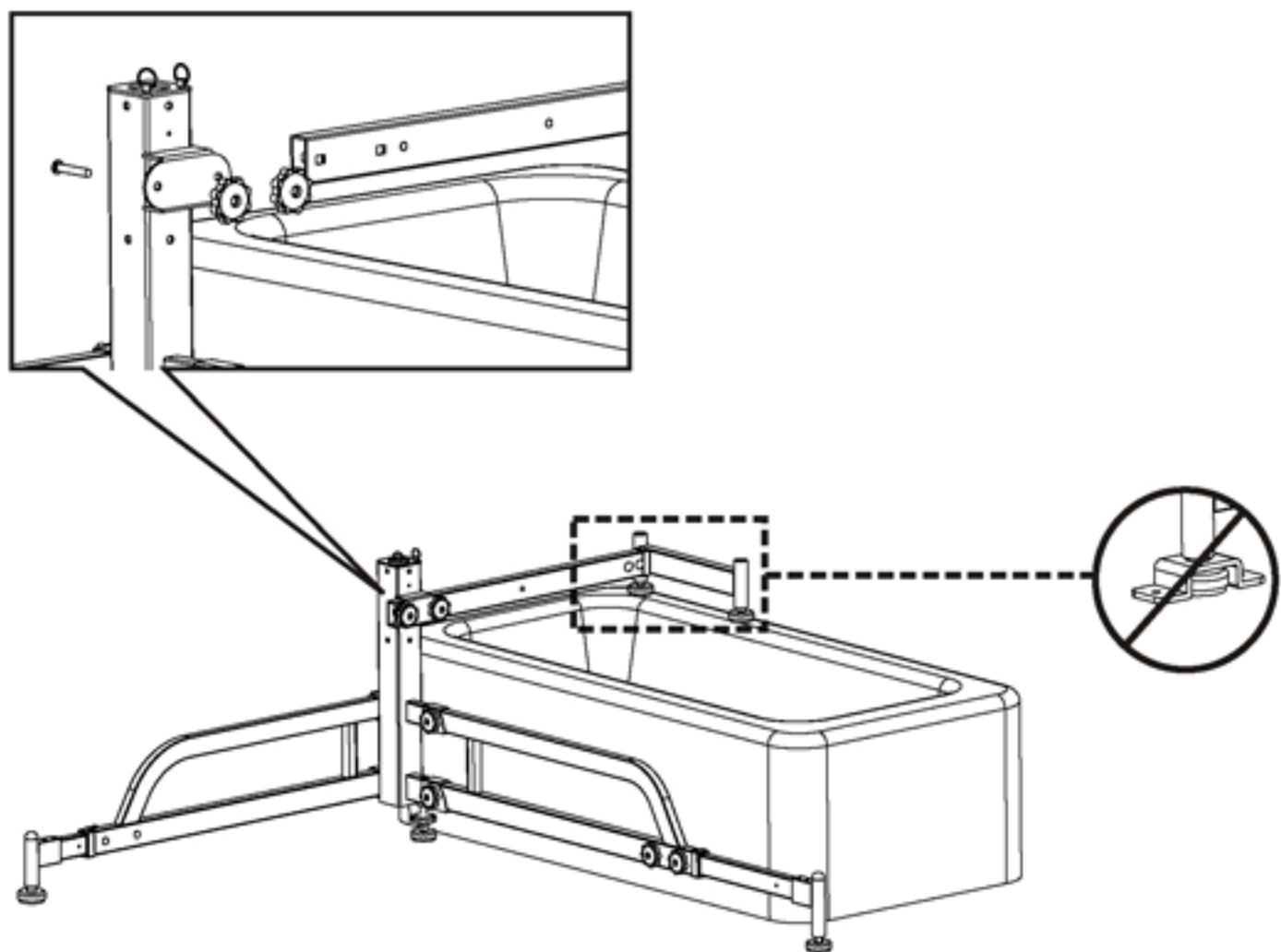
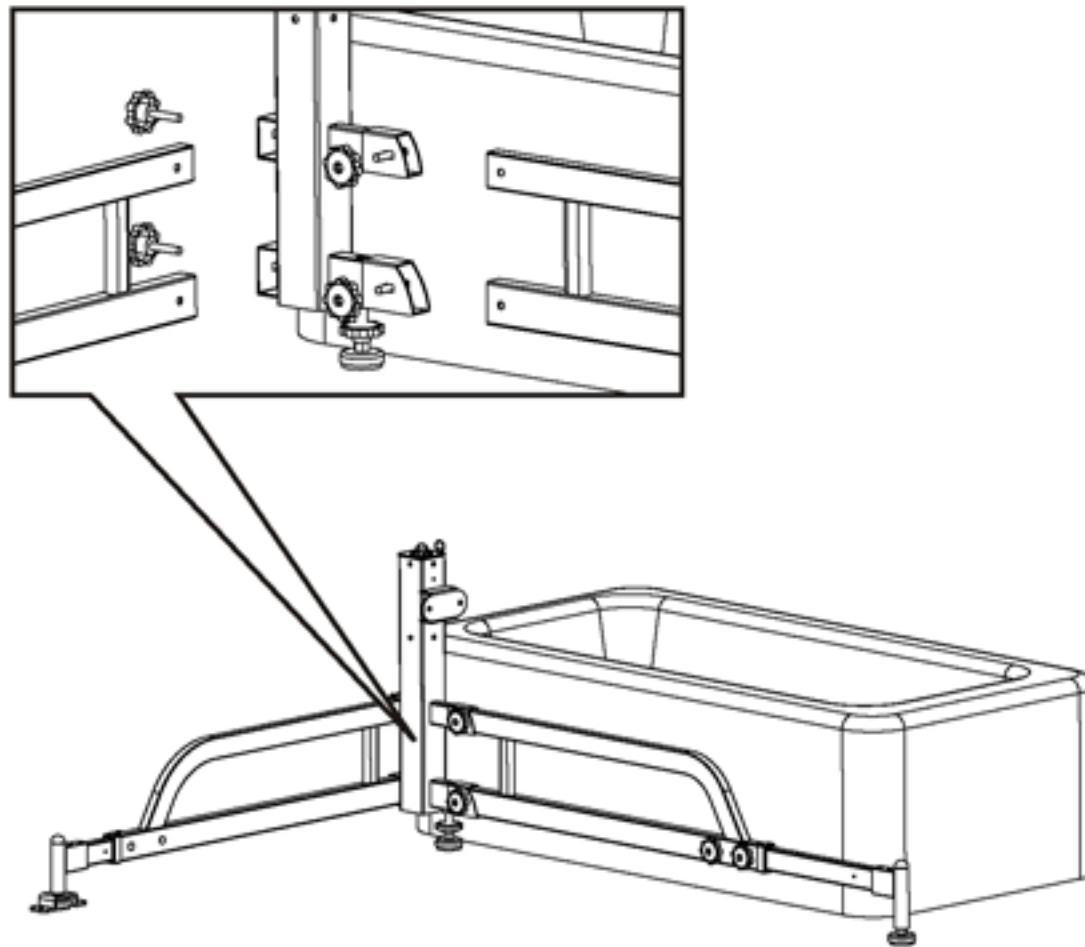
Step6: Tighten the nuts after all Legs are bolted.

BRIANA: Bedside Lift



ASSEMBLY INSTRUCTIONS

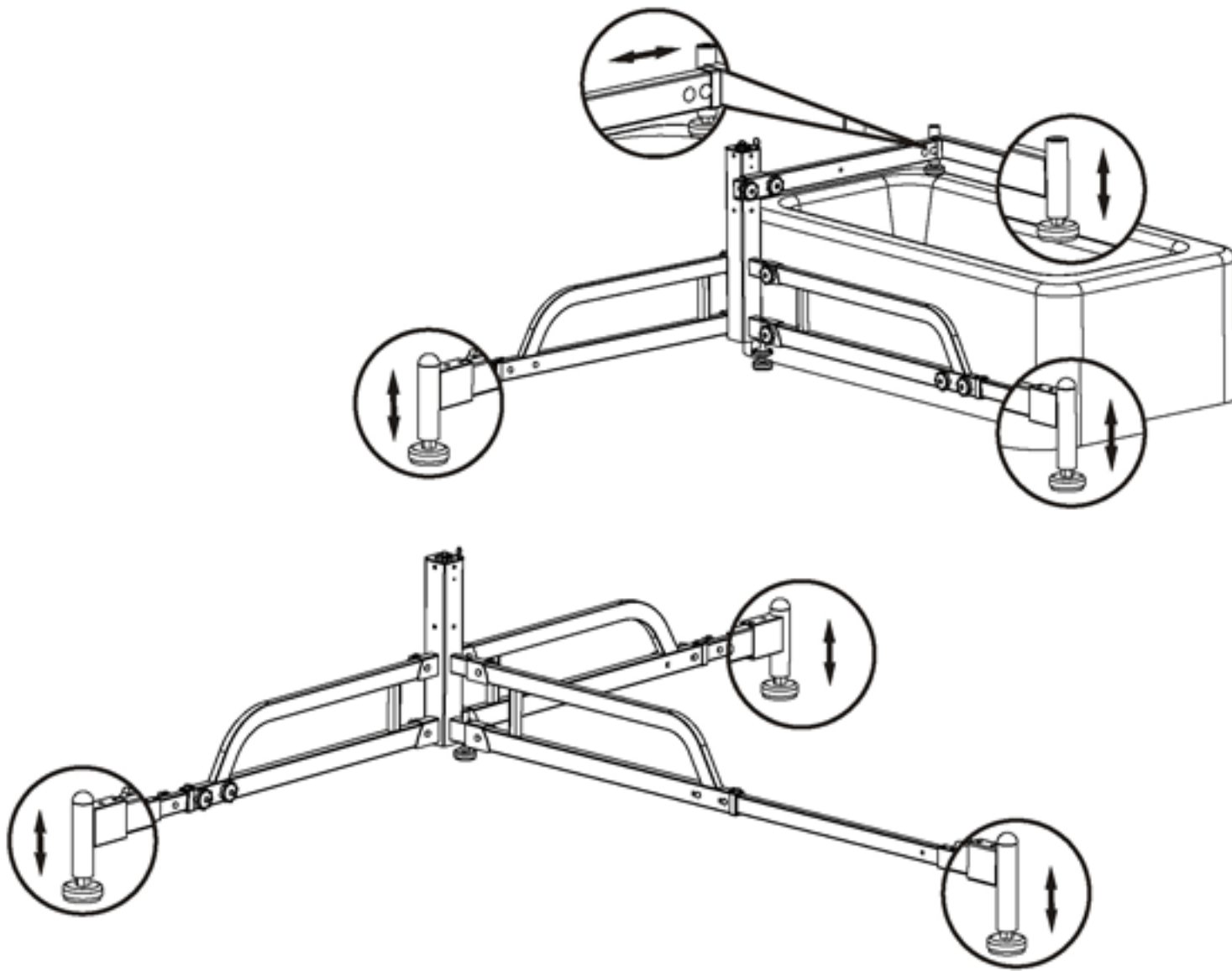
ALTON: Bathtub Lift



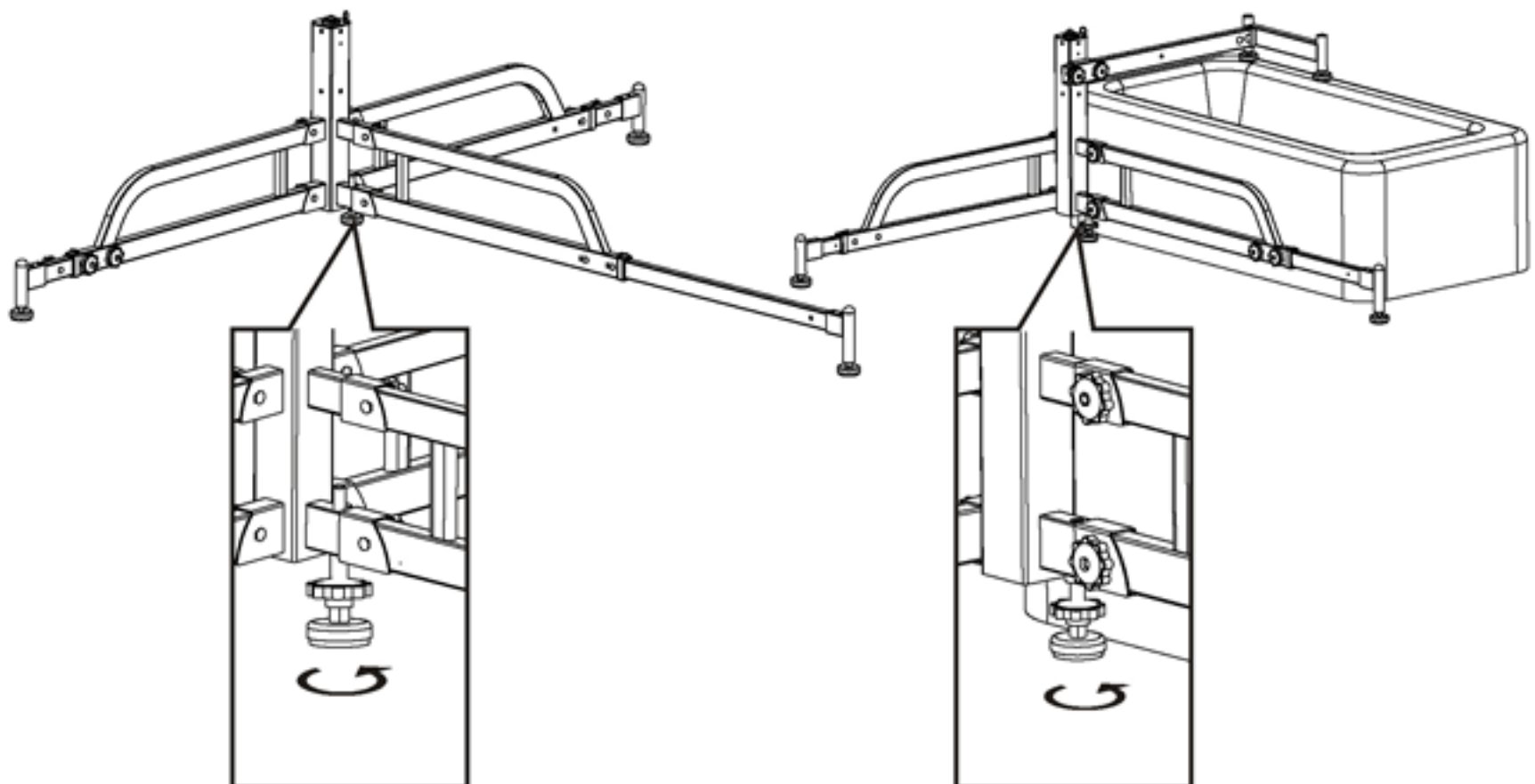
If Crossbeam is not used, the Side Leg needs to be bolted to the floor using the floor bracket provided.

ASSEMBLY INSTRUCTIONS

- Step7:** a) Adjust Supporting Feet to make sure the unit is evenly supported.
b) Adjust the Crossbeam to fit the bathtub (BTL330 only).



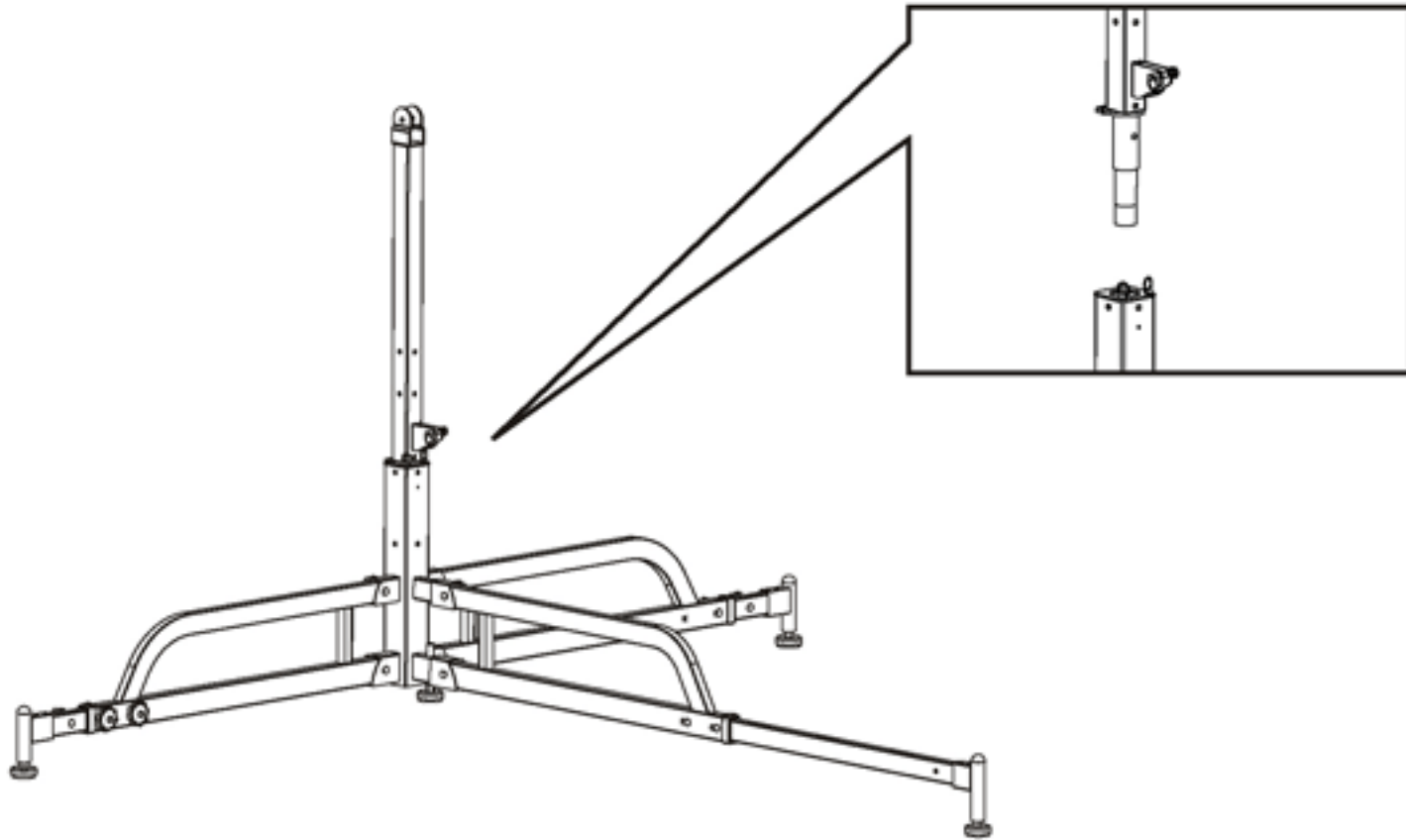
- Step8:** Turn upward the Supporting Foot of the Base out of the floor.



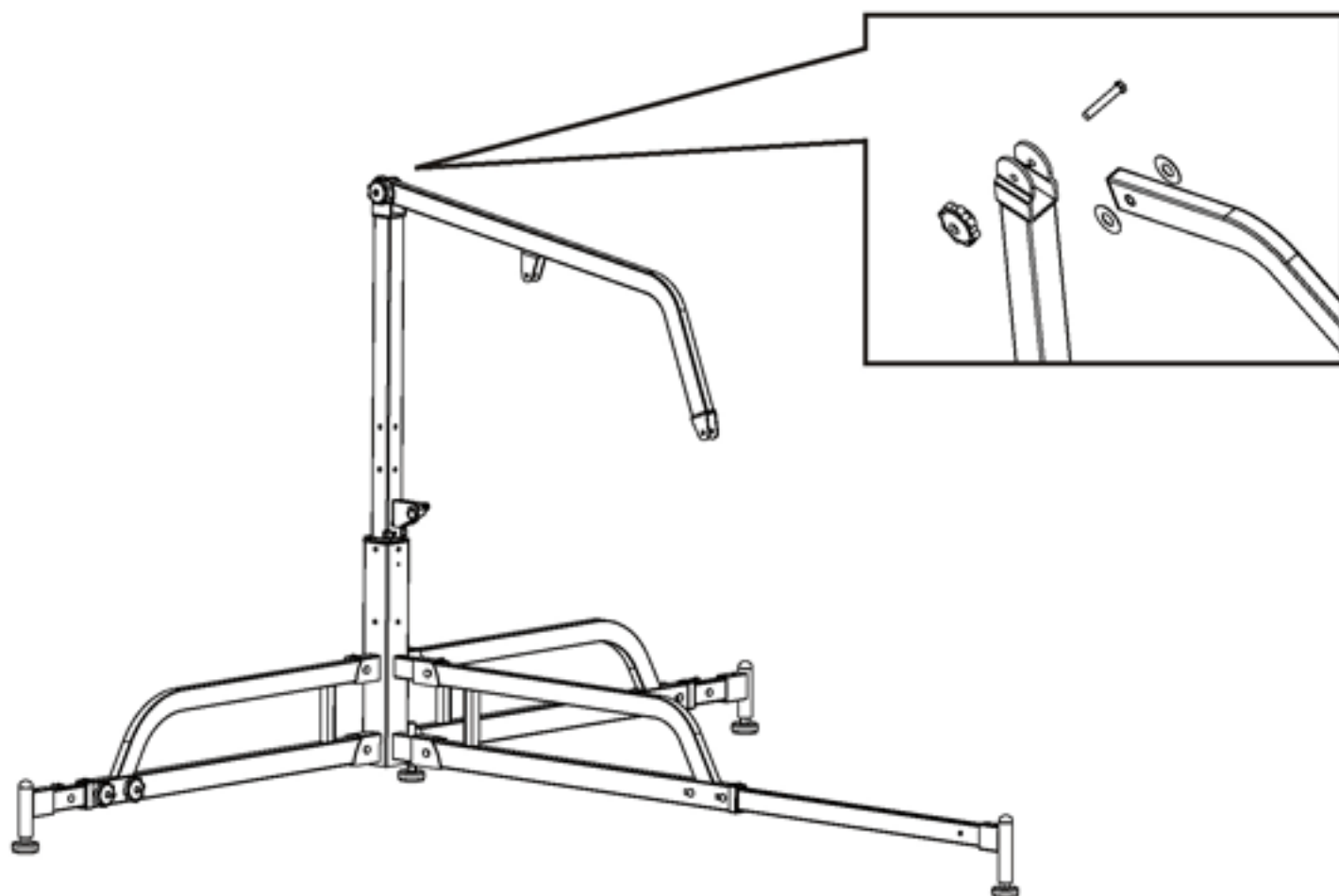
ASSEMBLY INSTRUCTIONS

■ MAST AND BOOM ASSEMBLY

Step1: Insert the Mast to the Base.



Step2: Attach and bolt the Boom to the Mast.



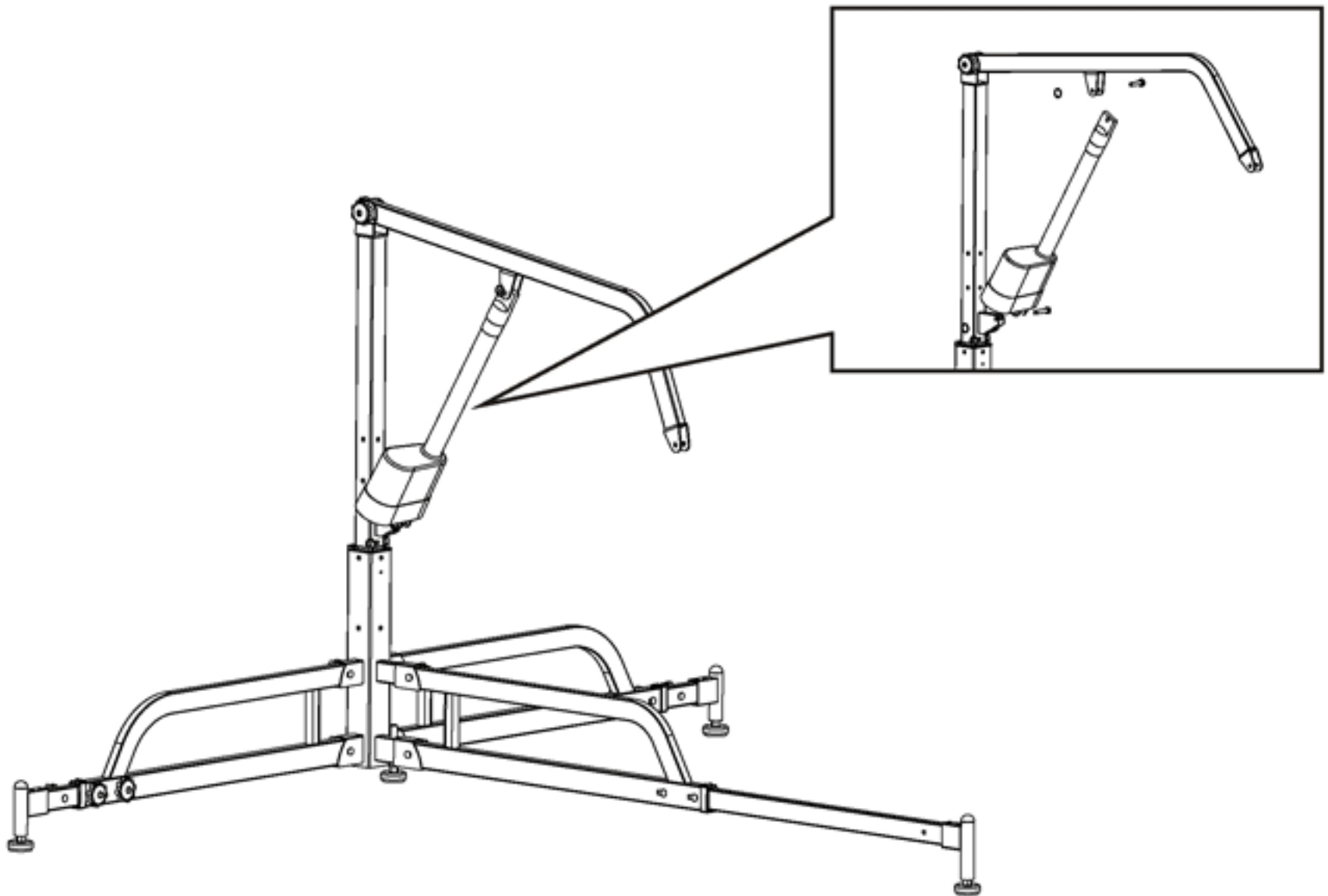
Step3: Tighten the bolt.

ASSEMBLY INSTRUCTIONS

■ ACTUATOR AND CONTROL SYSTEM ASSEMBLY

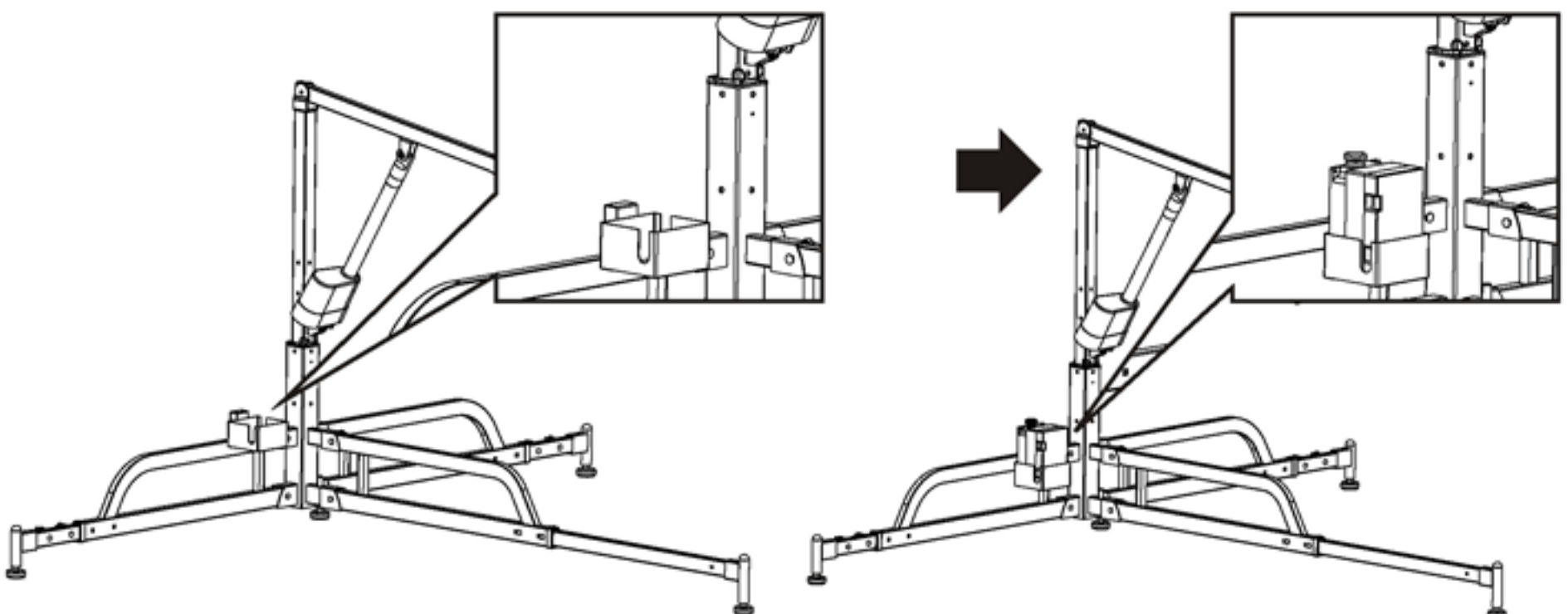
Step1: Attach the Actuator to the bracket on the Mast and Boom.

Step2: Insert the keeper pin and ring.



Step3: Attach the Control Box Bracket to the Side Leg.

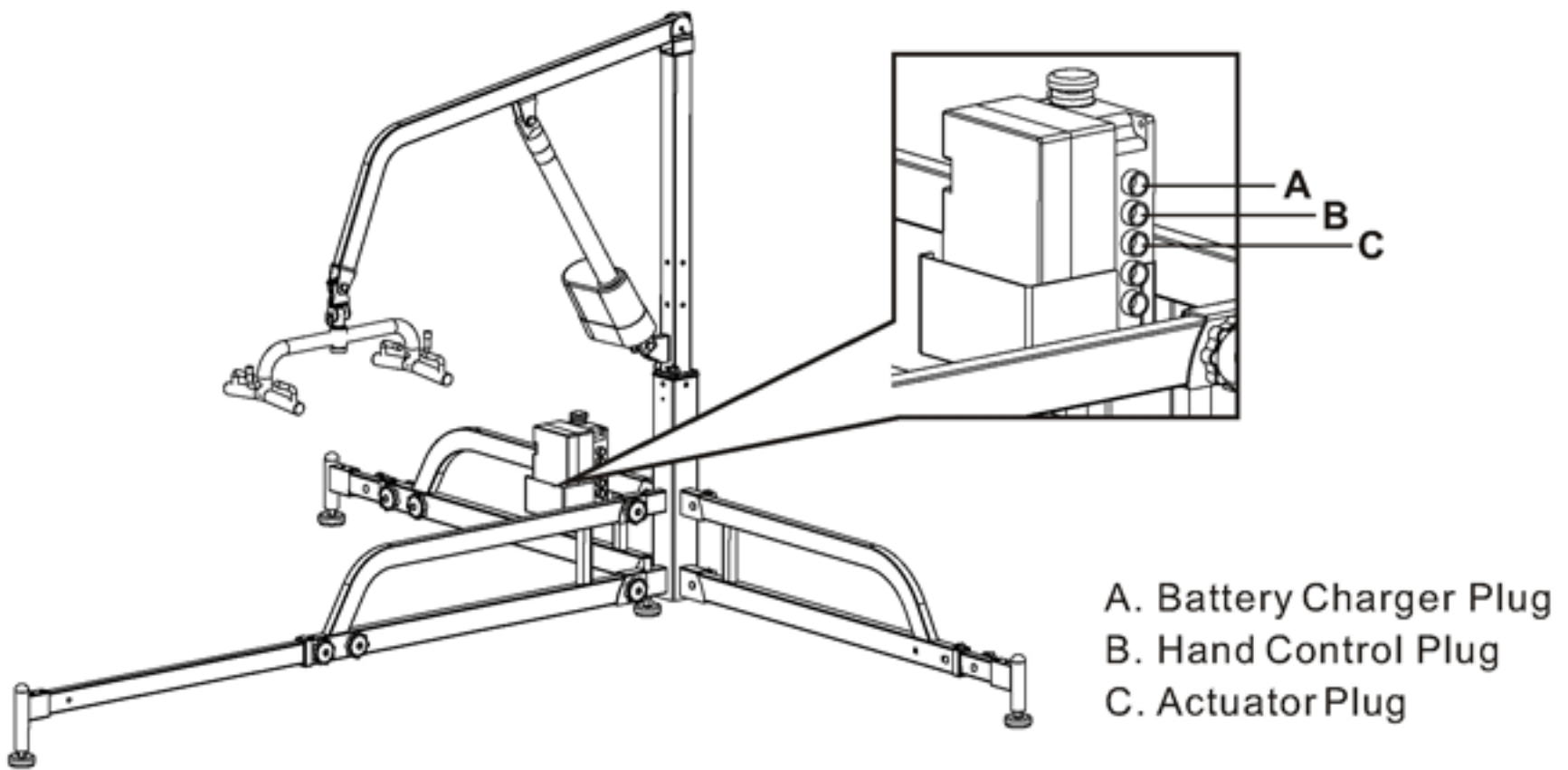
Step4: Put the Control Box in the Control Box Bracket.



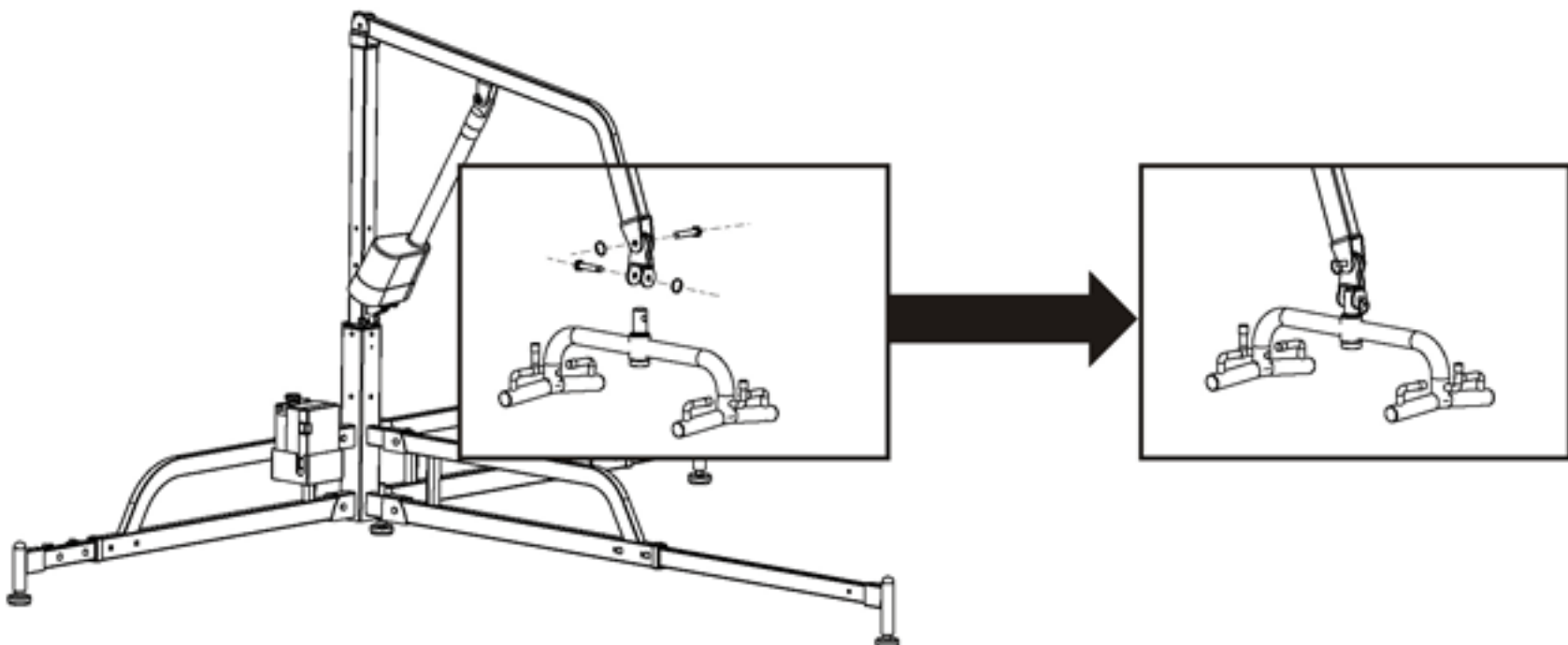
ASSEMBLY INSTRUCTIONS

Step5: Insert the Actuator Plug and the Hand Control Plug into the Control Box.

NOTICE: The Hand Control is in slot #2
The Actuator is in slot #3



■ SPREADER BAR ASSEMBLY



CHECKING BATTERY STATUS

Check batteries by pressing the Battery Indicator (blue circle with a battery sign). The status of the battery is indicated by LED lights and is listed in the following table:

RED	AMBER	GREEN	GREEN	GREEN	STATUS
ON	ON	ON	ON	ON	FULLY CHARGED
ON	ON	ON	OFF	OFF	NEEDS CHARGE
ON	ON/OFF	OFF	OFF	OFF	CHARGE IMMEDIATELY DO NOT USE THE LIFT
OFF	OFF	OFF	OFF	OFF	BAD BATTERIES OR BAD CONNECTION

CHARGING THE BATTERIES

- Batteries will not be charged unless the power is on. Make sure the power is "ON" by turning the red RESET button clockwise i.e. the red RESET button in the up position.
- Insert the charger into the charging socket on the Grey Control Box (the top slot). Caution: Be very careful to correctly align the charger plug and the charging socket or you will damage one or both of these components.
- Plug the charger to the power supply. (Wall outlet).
- All LED indicator lights should be "ON" while charging.

NOTE:

- The charger should be always plugged into the Control Box to keep the batteries charging. The Control Box is designed to prevent overcharging by cutting off the charging automatically when the batteries are fully charged.
- Replace the batteries when frequent charging is required.

WARNING BUZZERS

The Control Box has a buzzer that provides you with information on the status of the batteries and the lift. To stop the buzzer, push down the RESET button or press the Battery Indicator.

BUZZER	STATUS	NOTE
2beeps per second	LOW Battery (red/amber lights on)	Charge batteries immediately
2beeps per second	LOW Battery (red light on)	Charge batteries immediately
2beeps per second	Very LOW Battery (no light on)	Charge batteries immediately
3 beeps every other second	Bad Battery (no light on)	Replace batteries
3 long beeps	Overloaded Batteries are charged but light does not lift	Maximum load capacity batteries

PLACE
STAMP
HERE



6225 Shiloh Road, Suite C
Alpharetta, GA 30005

WARRANTY REGISTRATION CARD

Model Serial No. Date Purchased

Purchased From

Facility/User Name

Address

City State Zip

Tel : Fax:

e-mail Address:

Comments:



Apex Dynamics Healthcare Products, LLC.
6225 Shiloh Road, Suite C
Alpharetta, GA 30005

770-888-0796 or 1-800-742-0453

Copyright 2002 Apex Dynamics Healthcare Products

B5111-082002
