

# CEILING LIFTS AND SLINGS

## APEX LIFT SYSTEMS PROVIDE SOLUTIONS TO LIFTING AND TRANSFERRING PROBLEMS



**APEX LIFT SYSTEMS** provide solutions to lifting and transferring problems. users or caregivers may encounter. The Apex lift systems also ensure the users safety, comfort and in certain cases restore independence.

Apex Dynamics offers a broad range of systems to accommodate multiple lifting needs in the bathroom, bedroom, living area or virtually any area of the home. Apex lift systems are not only limited to the home setting. They are used in hospitals, nursing homes, schools, group homes and many other types of facilities worldwide. When it comes to lifting and transferring... an Apex Lift System is the solution.

Apex Dynamics is a leader in the design and manufacture of specialist equipment for disabled people. Apex Dynamics addresses all problems of development and maintenance of its products.

Every Apex Lift installation is custom designed and constructed to suit the individual need of each situation.

# A BRAND NEW CONCEPT in lifting

## APEX LIFTS

provide a safe, effective comfortable and practical solution for users and carers with lifting problems.



**WISPA**  
Powered lifting with manual traversing. SWL 286 lbs.



**WISPALONG**  
Powered lifting traversing and manual turntable shown. SWL 286 lbs.

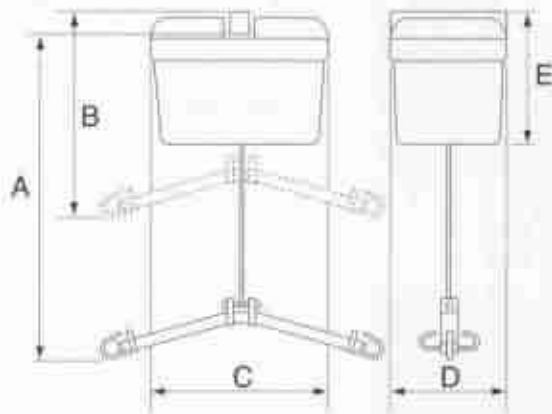


**WISPA TURBO**  
For the heavier patient with a SWL 420 lbs.



**WISPA PORTABLE**  
Easily moved from track to track. SWL 286 lbs.

### TECHNICAL INFORMATION



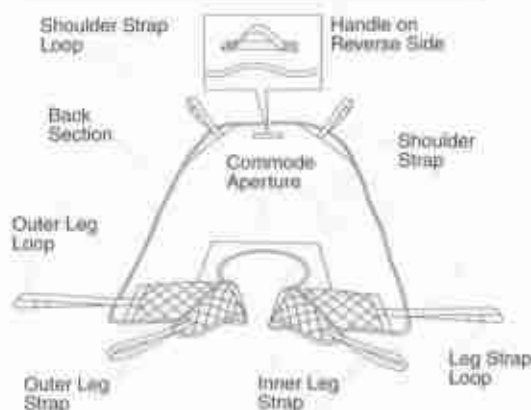
MODEL	A	B	C	D	E
WISPA	90.5 in.	19.6 in.	13.6 in.	9.7 in.	11.5 in.
WISPA TURBO	90.5 in.	19.6 in.	13.6 in.	9.7 in.	11.5 in.
WISPALONG	90.5 in.	19.6 in.	13.6 in.	9.7 in.	11.5 in.

MODEL	W	WB	WL	WLB	WT	WLT	WLTB
Emergency Lowering	•	•	•	•	•	•	•
Cordless Operation		•		•			•
Battery Low Indicator		•		•			•
Onboard Battery Power		•		•			•
Manual Traversing	•	•			•		
Powered Traversing			•	•		•	•
Transformer Req. (200v)	•		•		•	•	



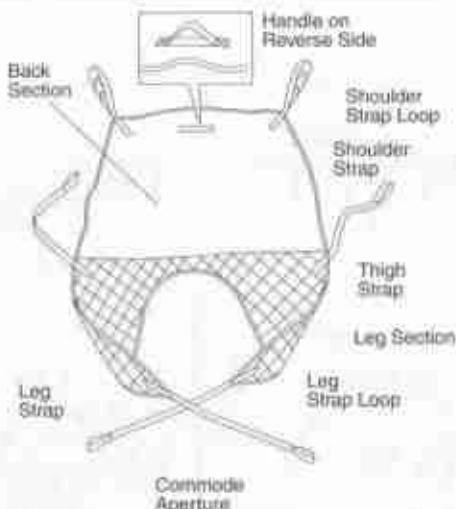
Due to infinite variations of human shapes, it may not follow that, for example – a short person would use a small sling. We would therefore recommend sizing by assessment rather than by eye.

## APEX DYNAMICS OFFERS A LARGE RANGE OF SLINGS TO MEET THESE VARIOUS NEEDS.



### Apex hammock sling

The hammock sling has been designed with the greatest amount of material in its construction. This gives very good support to the shoulders, back, buttocks and legs. The upper thigh support is particularly good, this is a useful feature for hoisting clients with leg amputations. This sling is available in net or quilted versions.



### Apex universal sling

The universal sling has been designed to offer good support for legs, shoulders and back whilst being very easy to fit. This sling is available in net or quilted versions. Both options offer a commode aperture for toileting.

### SPECIAL OPTIONS AVAILABLE

- Simulated washable sheepskin lining.
- Smooth polyester lining.
- Head support boned or strapped.
- Extra loops for leg straps.
- Different sizes to suit very large or small people.

### WEIGHT CAPACITY

Apex slings are designed to be used in conjunction with Apex mobile or ceiling mounted lift systems. Please refer to the safe working load of the lifting equipment as this figure dictates the capacity of the sling.

### WASHING INSTRUCTIONS

- Temperature up to 160° F
- Do not dry on steam pipes or conventional heaters
- Tumble dry on wool cycle
- Do not use chlorine based bleach
- Do not dry clean

332 Reece Road  
Dawsonville, GA 30534  
Tel: 706-265-4024  
Fax: 706-265-6367  
Toll Free: 1-800-742-0453

[www.apexdynamics.com](http://www.apexdynamics.com)



**Important:** When washing the toileting sling ensure that the velcro waistband is fastened together, failure to do this will result in damage to the sling caused by hook section of the velcro. When washing a sling with boned head support, remove the plastic boning before you wash the sling.